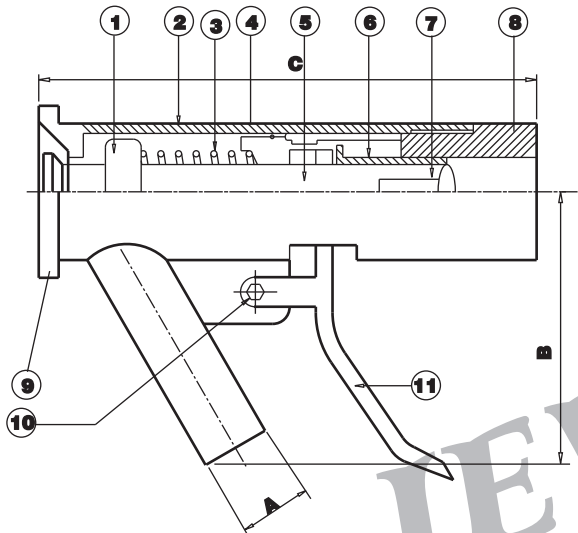


## WATER SAVER NOZZLE



Heavy duty, stainless steel, Water Saver Nozzle is designed for cleaning applications in pharma, food, dairies, breweries, beverage & cosmetics. It does a better job with the least amount of water. The precision made nozzle enables the operator to get any type of stream of water to do jobs by simply pressing the lever. A slight spray is sent forth with slight pressure on the handle. The nozzle automatically shuts off the moment the lever is released, thereby eliminating water wastage. The nozzle is provided with molded rubber jacket to avoid thermal shock.

The unit operates on water max pressure of 10 kg/cm<sup>2</sup>. Inlet hose connections offered are 1/2" and 3/4".

### PARTS LIST

S.No	Description	Material	Qty
1	Mechanical seal	SS / Rubber Neoprene	1
2	Body	SS 316	1
3	Spring	Spring Steel SS 316	1
4	Guide	SS 316	1
5	Spindle	SS 316	1
6	Retainer Bush	SS 316	1
7	Stem Guide	SS 316	1
8	Lock screw	SS 316	1
9	Body nozzle	SS 316	1
10	Hex Nut for handle guide	SS 316	1
11	Handle	SS 316	1

S.No	1/2"	3/4"
A	12.7	19.05
B	110	110
C	135	135

### Flow Rates

