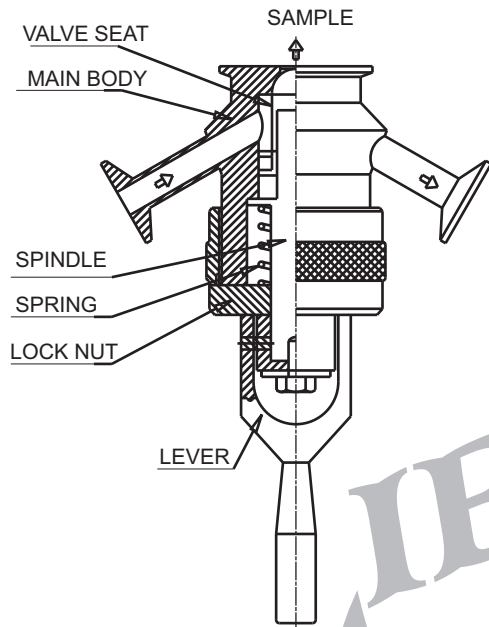
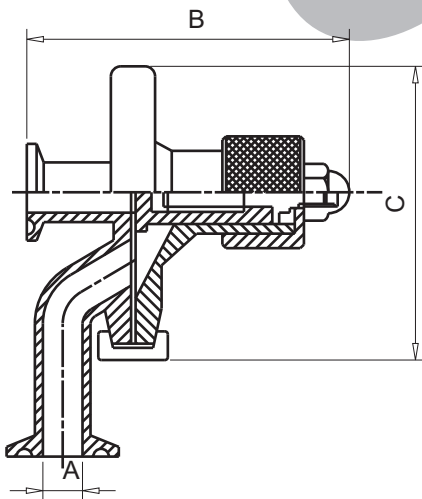


Sampling Valves



STEAM STERILISABLE TYPE

DIAPHRAGM TYPE



SIZE	1/4"	3/8"	1/2"	3/4"
A	5.35	9.52	12.7	19.05
B	80	95	105	133
C	85	106	125	132

The Sampling Valve can be installed directly in line and allows a sample to be taken or condensate to be drained without the typical hold up volume or contact surface inherent to branch valve assemblies.

Advantages :

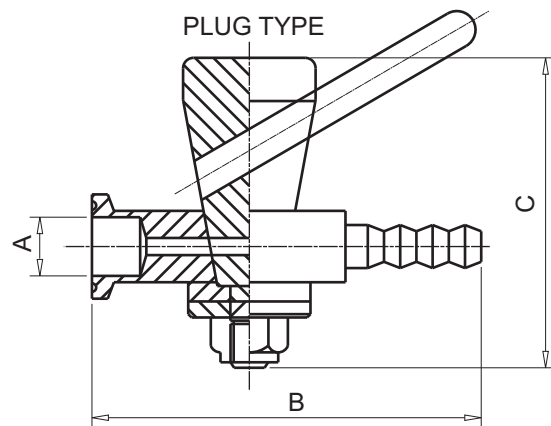
Stagnant fluid inherent to the take off leg of a conventional diaphragm or ball valve sampling is eliminated in the sample valve.

By providing the stainless steel metal to metal shut off directly at the tri clamp or butt weld inlet port connection the typical take off leg is eliminated

Availability in variety design in inlet connection or butt weld and outlet clamp, butt welded or tri clamp connections, you can select the sampling valve to best suit your system design

Manufactured from SS 316/SS316L and utilising a thermoplastic hand wheel, the sampling valve can withstand typical cleaning and sterilisation protocol including autoclave

The sterilisable sample valve will assure an accurate sample valve of the true process media by providing a steam inlet and drain port assuring the sterility of the valve surface prior



SIZE	1/4"	3/8"
A	Ø6.35	9.52
B	70	70
C	66	66