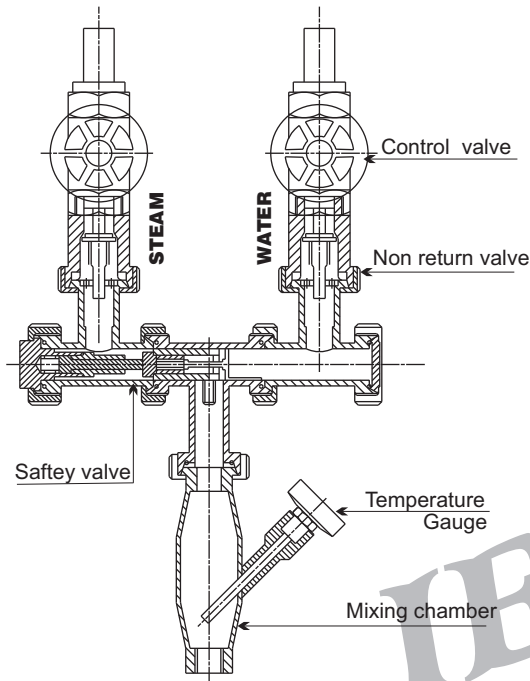


HOSE DOWN UNIT



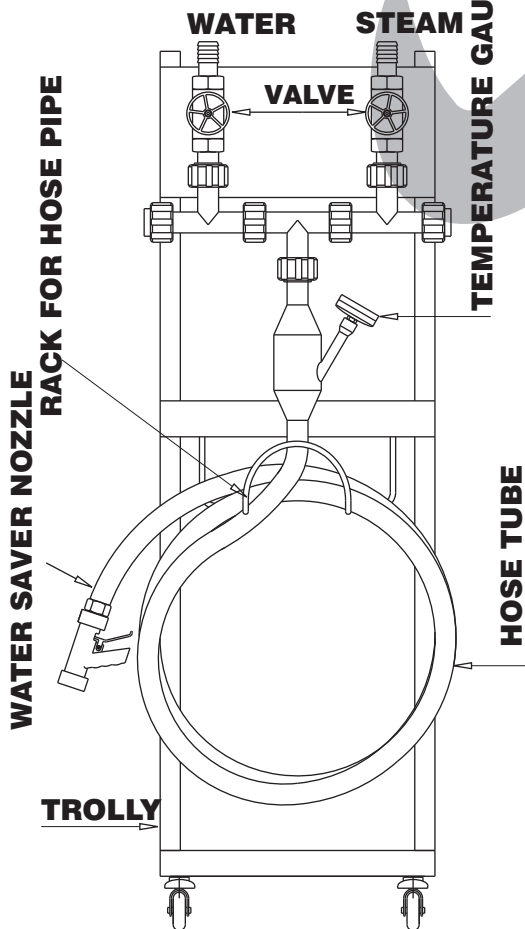
HOT & COLD WATER HOSE STATIONS AND MIXING UNITS will produce hot water instantly and keep on producing it as long as there is a constant supply of steam and cold water.

This unit is equipped with a dial thermometer which indicates the temperature of the wash water, and by means of the control valves the user can adjust the unit to produce hot water of the desired temperature. If for some reason the cold water supply fail, the steam is instantly shut off. This action is positive and automatic and does not rely on thermostats or electrical devices. When the unit is properly maintained, this safety feature eliminates the hazard of steam burns.

This unit comes fitted with 3 to 5 mtr. of High Pressure Water hose. Within this complete wash down unit, the operator can do a better and more economical clean-up job since the unit furnishes a steady supply of hot water at the desired temperature and the spray nozzle allows him to regulate the water from a solid jet to a fine spray. Moreover, there is no waste of water since the flow stops the instant the spray nozzle lever is released.

ADVANTAGES :

Low initial cost, low maintenance, no complicated mechanism to get out of order, no expensive hot water steam needed, can be easily installed in the part of the plant where steam and water lines



Flow Rates

