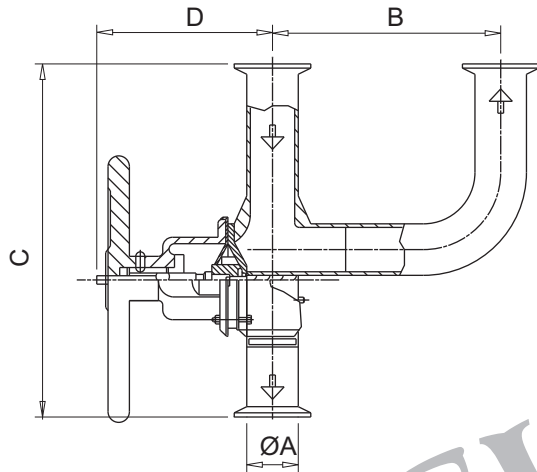


## GMP loop Valves

### ZERO DEAD LEG 'Y' TYPE



SIZE	1"	1½"	2"
A	Ø25.4	Ø38.1	Ø50.8
B	115	127	140
C	120	130	140
D	Ø75	Ø98	Ø120

The GMP loop valves can be utilized to virtually eliminate dead legs in the design of point of use outlets in a typical WFI distribution loop. The process fluid flows through the valve body.

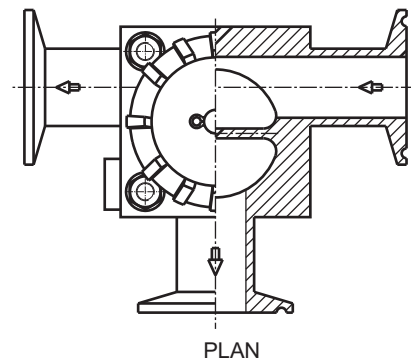
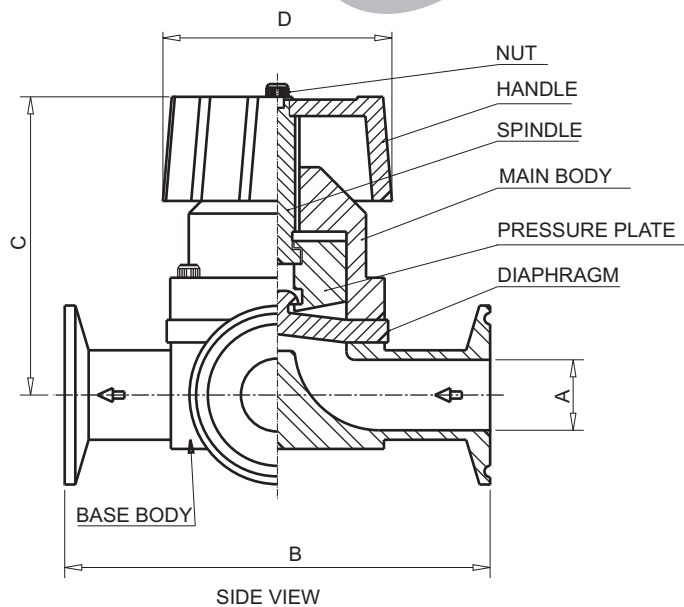
As demand warrants, the valve is opened providing an uncontaminated sample untainted by bacteria growth or contaminants which may accumulate in outlets greater than 6D.

The outlet can also be utilised as a steam condensate drain or as a divert port. The valve has been modified to accept a third port of the same diameter or smaller, positioned adjacent to the weir at the bottom of the valve.

Typically the GMP valve is oriented in the vertical position. For horizontal process applications, the sterile access valve is recommended.

The GMP configuration is available in sizes ¼" - 4" (DN 8 - 100) and can be supplied with buttweld or ferrule end connections.

### ZERO DEAD LEG 'T' TYPE



SIZE	1"	1½"	2"
A	Ø25.4	Ø38.1	Ø50.8
B	115	127	140
C	120	130	140
D	Ø75	Ø98	Ø120