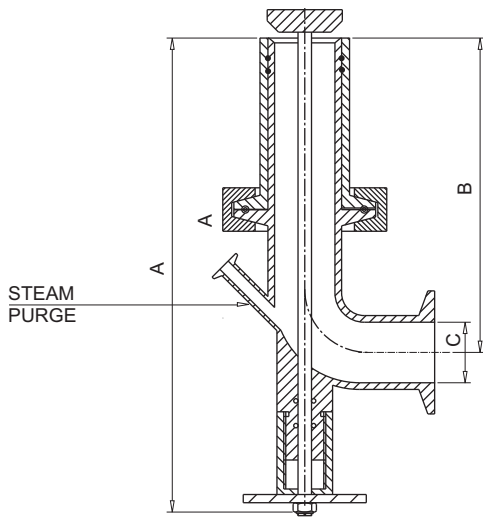
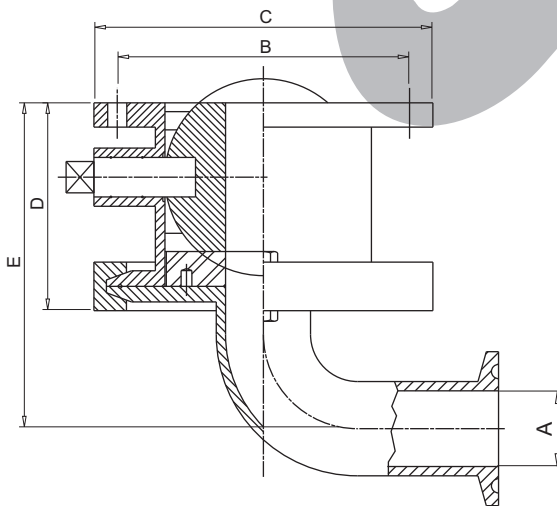


Flush Bottom valves



FLUSH BOTTOM VALVE (RAM TYPE)

SIZE	A	B	C
1"	175	100	Ø25
1½"	220	140	Ø38.1
2"	250	160	Ø50.8



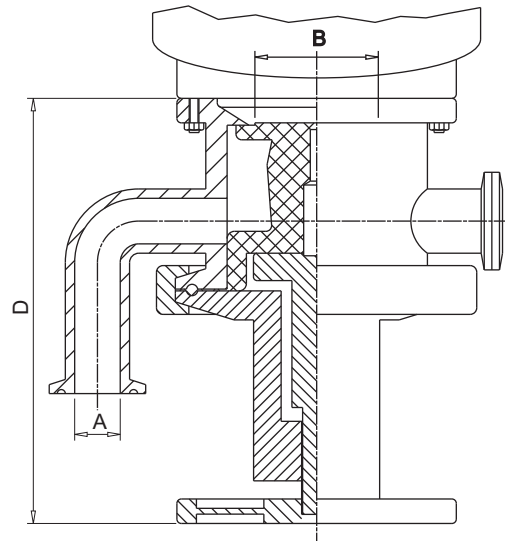
FLUSH BOTTOM VALVE (BALL TYPE)

	1½"	2"	2½"
A	Ø38.1	Ø50.8	Ø63.5
B	Ø68	Ø86	Ø104
C	Ø130	Ø160	Ø190
D	76	89	104
E	127	145	170

Flush bottom valves are designed for sanitary applications in the pharma, food, beverage, dairy and allied industries. The valves are manufactured from SS 304 / SS 316 / SS 316L duly electropolished upto 240 # surface finish. The CIP design ensures no uncleanable pockets and no dead legs. The valves can be dismantled easily and fast with no special tools. The valves are offered in three designs viz. Ram type, Diaphragm type and Ball type , in sizes Ø1" to Ø4" with working pressure upto 10 kg/cm² and temperatures upto 200°C. Valve seating can be of Teflon / Silicon / Rubber Elastomer . The valve can be offered with electrical or pneumatic actuators

Features :

- + Able to withstand high sterilisation temperatures.
- + Full ports allow unobstructed product flow
- + Positive shut off eliminates leakages.
- + In-Line adjustment to compensate for seat wear.
- + Easy assemble and dismantle



FLUSH BOTTOM VALVE (DIAPHRAGM TYPE)

SIZE	ØA	ØB
1"	25.4	22
1½"	38.1	35
2"	50.8	48