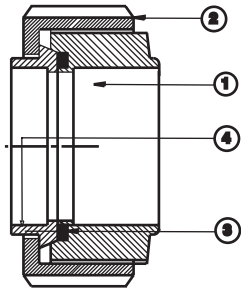


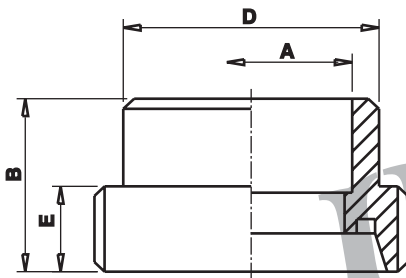
Din Fittings



PARTS LIST

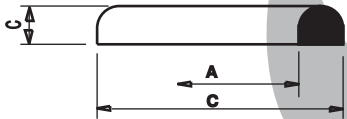
SLNO	DESCRIPTION	MATERIAL.	QTY.
1	MALE PART	SS 304/316	1
2	NUT	SS 304/316	1
3	LINER	SS 304/316	1
4	GASKET	SILICON*	1

* VITON / EPDM are also offered



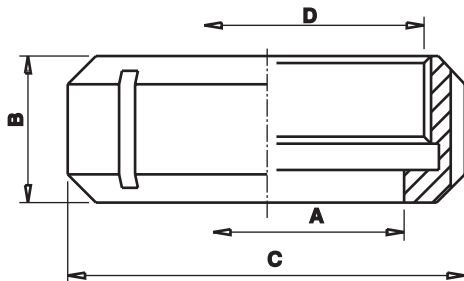
MALE

	1"	1½"	2"	2½"	3"
A	Ø25.4	38.1	50.8	63.5	76.2
B	34	43	48	55	62
C	Ø52	65	78	95	110
D	Ø35	48	61	79	93



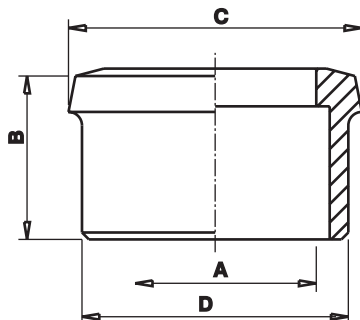
GASKET

	1"	1½"	2"	2½"	3"
A	Ø30	42	54	71	85
B	5	5	5	5	5
C	Ø39.8	51.8	63.8	80.8	94.8



NUT

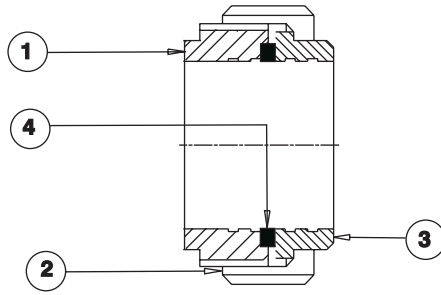
	1"	1½"	2"	2½"	3"
A	Ø36	49	62	80	94
B	22	23	25	27	32
C	Ø67	82	96	114	130
D	Ø52	65	78	95	110



LINER

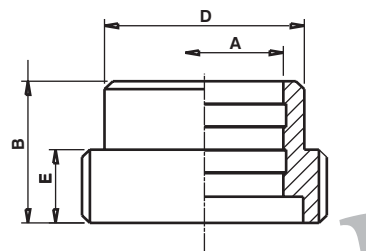
	1"	1½"	2"	2½"	3"
A	Ø25.4	38.1	50.8	63.5	76.3
B	27	36	41	47	54
C	Ø44	56	68	86	110
D	Ø35	48	61	79	93

SMS Fittings



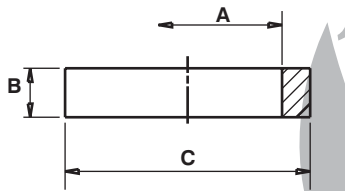
ASSEMBLY DRAWING

NO.	DESCRIPTION	MATL.	QTY.
1	MALE PART	SS 316/304	1
2	NUT	SS 316/304	1
3	LINER	SS 316/304	1
4	GASKET	SILICON	1



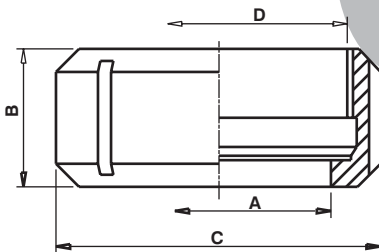
MALE

	1"	1½"	2"	2½"	3"
A	Ø25.4	38.1	50.8	63.5	76.2
B	20	23	25	30	35
C	Ø40	60	60	85	98
D	Ø32	48	48	73.5	86
E	Ø11	15	15	19	19



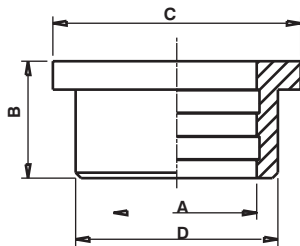
GASKET

	1"	1½"	2"	2½"	3"
A	Ø25.4	38	51	63.5	76.3
B	5	5	5	5	5
C	Ø32	48.2	48.2	73.5	86.2



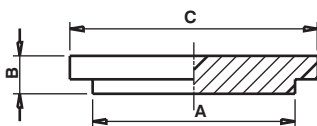
NUT

	1"	1½"	2"	2½"	3"
A	Ø32	48	60.5	74	87
B	20	25	26	30	32
C	Ø51	74	84	100	114
D	Ø36	56.1	66.1	81.1	94.1



LINER

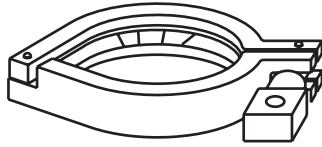
	1"	1½"	2"	2½"	3"
A	Ø25.4	38.1	50.8	63.5	76.3
B	17	20	20	25	30
C	Ø35	55	65	80.5	93
D	Ø32	48	59.1	73	86



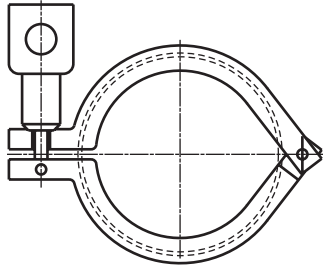
BLANK

	1"	1½"	2"	2½"	3"
A	Ø32	48	59.5	73.5	86
B	7.5	8	9	9	11
C	Ø35	55	65	80	93

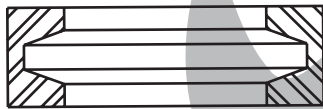
Triclamp Fittings



ISOMETRIC VIEW



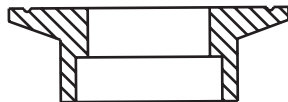
FERRULE



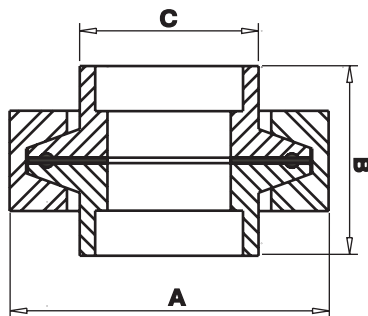
CLAMP



GASKET



FERRULE



TRI CLAMP ASSEMBLY

Tri-Clamp is a system of stainless steel piping components designed especially to provide a uniformly smooth, non-contaminating or non-corrosive environment for your product. Its inherent benefits provide for clean in place and easy, fast take down, low cost, leak-tight installation and ready adaptability to other forms of piping.

Benefits of Tri-clamp systems

Costs less joint : Realize substantial savings per over union.

Save labor : Clean-in-place capability saves up to 60% in time. Be cause no tools are required, laborious threading, fitting and damaging wrench work are eliminated.

Saves Space nesting less : Compact joints permit closer of lines. Get more production in space.

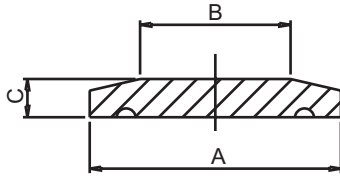
Flexibility : Quick action clamps permit fast take down and re assembly, Tri-clamp lobes are easily altered for future expansion or relocation.

Minimum contamination drop : Smooth, crevice-free, self aligning joints not only reduces hazards but minimize Pressure turbulence and pressure drop through the system.

Surface finish : Combinations of surface finish, from polished to bright annealed or white pickle finish, or combinations to meet individual process requirements, bend versatility to Tri-clamp line.

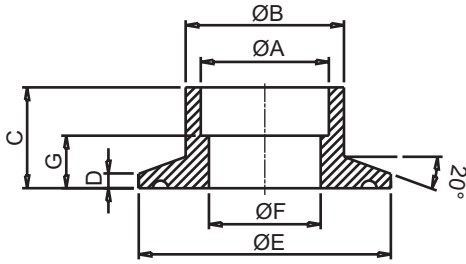
SIZE	ØA	ØB	ØC
½"	45	20	19
¾"	45	20	23
1"	52.5	45	29.5
1½"	52.5	45	42.6
2"	67.4	45	55.7
2½"	81.1	45	68.8
3"	94.4	45	81.9
4"	122.4	45	108.1

Std & Mini Triclamp Fittings



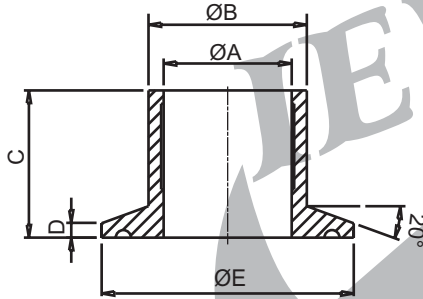
BLANK

A	Ø1"	Ø1½"	Ø2"	Ø3"	Ø4"
A	Ø50.3	Ø50.3	Ø63.9	Ø77.5	Ø119
B	Ø25.4	Ø38.1	Ø50.8	Ø38.1	Ø50.8
C	20	20	20	20	20



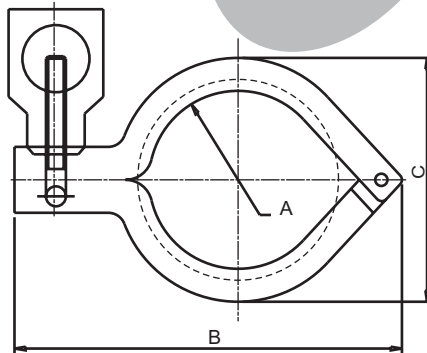
WELDABLE FERRULE

SIZE	ØA	ØB	C	D	ØE	ØF	G
Ø½"	16	19	8	3	25	12.7	3
Ø¾"	19	23	8	3	35	19	3
Ø1"	25.4	30	8	2.85	50	22	3
Ø1¼"	32.5	36	8	2.85	50	28	3
Ø1½"	38.2	42	8	2.85	50	34	3
Ø2"	51	55	8	2.85	63.5	47	3
Ø2½"	64	68	8	2.85	77.5	60	3
Ø3"	76.5	80	8	2.85	91	73	3
Ø4"	102	106	13	2.85	119	97	3



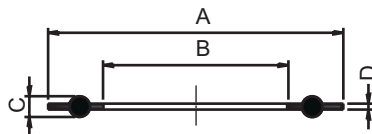
EXPANDABLE FERRULE

A	ØA	ØB	C	D	ØE
Ø½"	12.7	19	20	3	25
Ø¾"	19	23	20	3	35
Ø1"	25.4	30	20	2.85	50
Ø1¼"	32.5	36	20	2.85	50
Ø1½"	38.2	42	20	2.85	50
Ø2"	51	55	20	2.85	63.5
Ø2½"	64	68	20	2.85	77.5
Ø3"	76.5	80	20	2.85	91
Ø4"	102	106	20	2.85	119



CLAMP

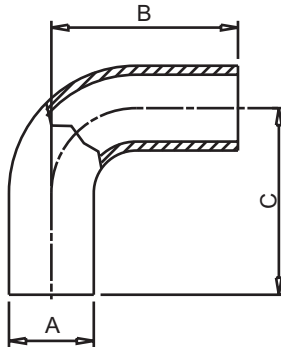
	A	B	C
¼" to ¾"	Ø6.5	65	46
1"	Ø52.5	85	59
1½"	Ø52.5	85	59
2"	Ø67.4	106	75
2½"	Ø81.1	125	89
3"	Ø94.4	132	104
4"	Ø122.4	167	129



GASKET

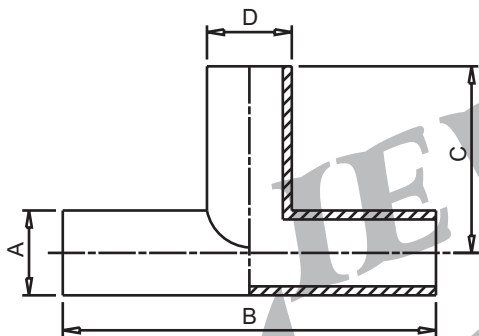
	A	B	C	D
¼"	Ø25	Ø6.35	3.5	1
⅜"	Ø25	Ø9.5	3.5	1
½"	Ø25	Ø12.7	3.5	1
⅝"	Ø35	Ø15.8	3.5	1
¾"	Ø35	Ø19.05	3.5	1
1"	Ø50.3	Ø25.4	3.5	1
1½"	Ø50.3	Ø38.1	3.5	1
2"	Ø63.9	Ø50.8	3.5	1
2½"	Ø77.3	Ø63.5	3.5	1
3"	Ø90.9	Ø76.2	3.5	1
4"	Ø118.9	Ø101.6	3.5	1

Bends, Elbows & tees



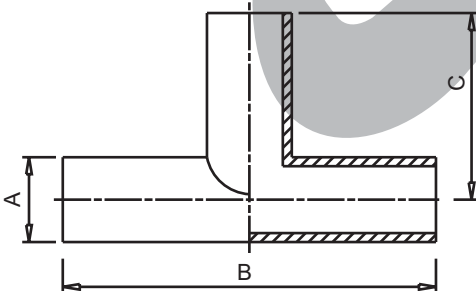
BEND 90°

	1"	1½"	2"	2½"	3"
A	Ø25.4	Ø38.1	Ø50.8	Ø63.5	Ø76.2
B	55	70	82	105	110
C	55	70	82	105	110



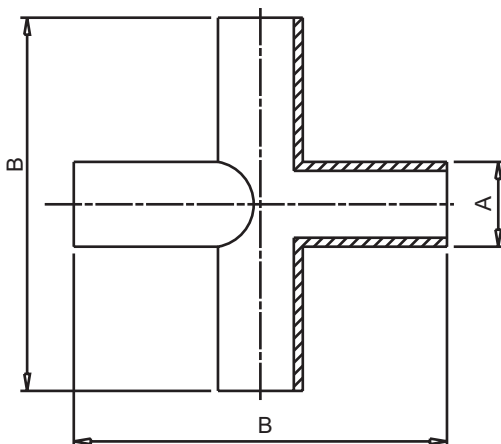
UNEQUAL TEE

	1½"	2"	2½"	3"
A	Ø38.1	Ø50.8	Ø63.5	Ø76.2
B	140	164	210	220
C	70	82	105	110
D	Ø25.4	Ø25.4	Ø25.4	Ø25.4



EQUAL TEE

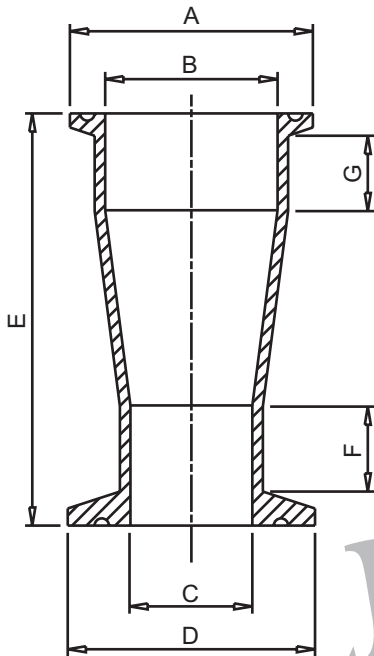
	1"	1½"	2"	2½"	3"
A	Ø25.4	Ø38.1	Ø50.8	Ø63.5	Ø76.2
B	110	140	164	210	220
C	55	70	82	105	110



CROSS/JUNCTION

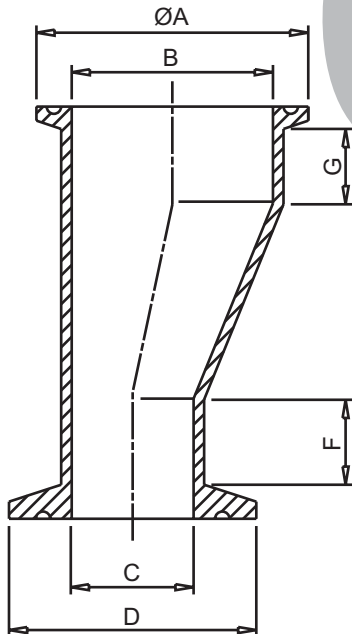
	1"	1½"	2"	2½"	3"
A	Ø25.4	Ø38.1	Ø50.8	Ø63.5	Ø76.2
B	108	127	165	165	178
C	108	127	165	165	178

Reducers



CONCENTRIC REDUCER

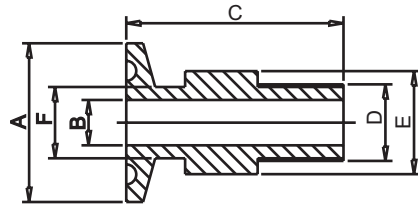
B TO C	A	D	E	F	G
Ø38.1 - Ø25.4	Ø50.3	Ø50.3	76	15	20
Ø50.8 - Ø25.4	Ø63.9	Ø50.3	76	15	20
Ø50.8 - Ø38.1	Ø63.9	Ø50.3	76	15	20
Ø63.5 - Ø38.1	Ø77.3	Ø50.3	76	15	20
Ø63.5 - Ø50.8	Ø77.3	Ø63.9	76	15	20
Ø76.2 - Ø38.1	Ø90.9	Ø50.8	76	15	20
Ø76.2 - Ø50.8	Ø90.9	Ø63.9	76	15	20
Ø76.2 - Ø63.5	Ø90.9	Ø77.3	76	15	20
Ø101.6 - Ø50.8	Ø118.9	Ø63.9	100	15	20
Ø101.6 - Ø63.5	Ø118.9	Ø77.3	100	15	20
Ø101.6 - Ø76.2	Ø118.9	Ø90.9	100	15	20



ECCENTRIC REDUCER

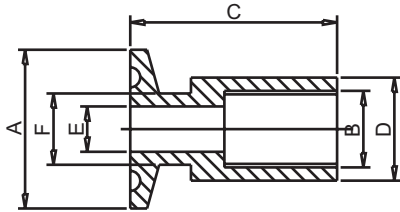
B TO C	A	D	E	F	G
Ø38.1 - Ø25.4	Ø50.3	Ø50.3	76	15	20
Ø50.8 - Ø25.4	Ø63.9	Ø50.3	76	15	20
Ø50.8 - Ø38.1	Ø63.9	Ø50.3	76	15	20
Ø63.5 - Ø38.1	Ø77.3	Ø50.3	76	15	20
Ø63.5 - Ø50.8	Ø77.3	Ø63.9	76	15	20
Ø76.2 - Ø38.1	Ø90.9	Ø50.8	76	15	20
Ø76.2 - Ø50.8	Ø90.9	Ø63.9	76	15	20
Ø76.2 - Ø63.5	Ø90.9	Ø77.3	76	15	20
Ø101.6 - Ø50.8	Ø118.9	Ø63.9	100	15	20
Ø101.6 - Ø63.5	Ø118.9	Ø77.3	100	15	20
Ø101.6 - Ø76.2	Ø118.9	Ø90.9	100	15	20

Adapters



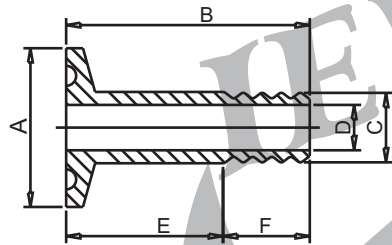
T.C MALE ADAPTOR

A	Ø35	Ø35	Ø36
B	Ø10	Ø15	Ø20
C	50	50	50
D	Ø16.8	Ø23.1	Ø26.5
E	Ø26	Ø27	Ø28
F	Ø20.5	Ø23.5	Ø24.5



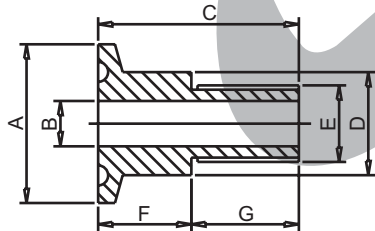
T.C FEMALE ADAPTOR

AØ	35	35	36
BØ	10	20.7	24.2
C	50	50	50
DØ	26	27	28
EØ	10	15	20
FØ	20.5	23.5	24.5



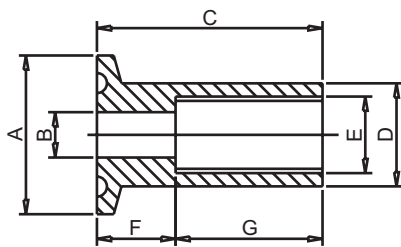
T.C HOSE

AØ	35	35	35	35	35
B	64	64	64	64	64
CØ	6.35	9.52	12.7	15.87	19.05
DØ	3.1	6.3	9.5	12.7	15.8
E	29	29	29	29	29
F	35	35	35	35	35



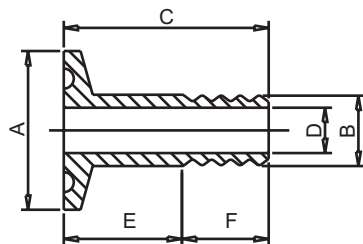
T.C MALE ADAPTOR

A	Ø50.3	Ø63.9	Ø77.3	Ø90.9	Ø118.9	Ø135
B	Ø25.4	Ø38.1	Ø50.8	Ø63.5	Ø76.2	Ø101.6
C	40	40	40	40	40	40
D	Ø42	Ø56	Ø69	Ø85	Ø102	Ø125
E	20	20	20	20	25	25
F	20	20	20	20	20	20



T.C FEMALE ADAPTOR

A	Ø35	Ø35	Ø35	Ø35	Ø50.3	Ø50.3
B	35	35	35	35	35	35
C	Ø6.35	Ø9.52	Ø12.7	Ø15.87	Ø19.05	Ø19.05
D	Ø26	Ø26	Ø29	Ø29	Ø32	Ø32
E	Ø11.5	Ø15	Ø18.7	Ø20.7	Ø24.2	Ø24.2
F	18	18	18	18	18	18
G	17	17	17	17	17	17



T. C HOSE

A	50.3	50.3	63.9	77.3	90.9	118.9
B	25.4	38.1	50.8	63.5	76.2	101.6
C	84	84	84	84	84	84
D	23	35.5	48.5	60.5	73	98
E	29	29	29	29	29	29
F	35	35	35	35	35	35