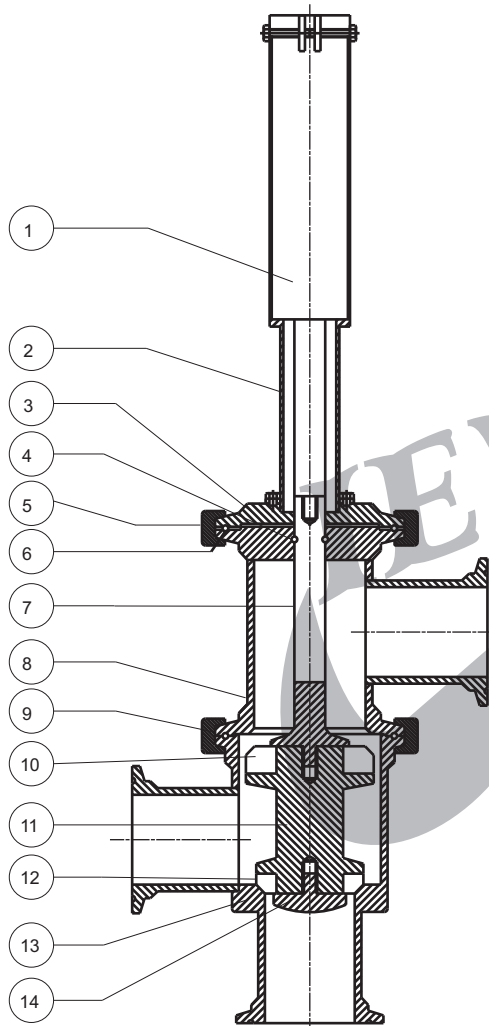


Flow Diversional Valves



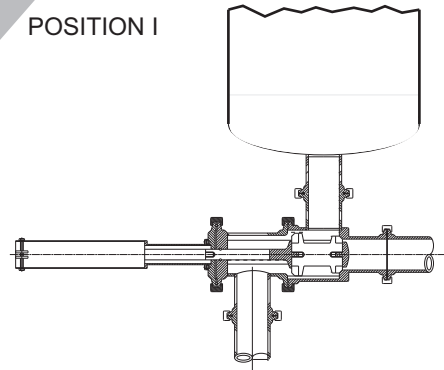
These valves are double seated 3 way valves designed for Pharma, Food, Beverage, Cosmetics, beverage and dairy Industries.

They are used in sterile processing systems, as both the body bonnet and stem have product protection chambers. Steam and sterilising media can be circulated through the valve preventing bacteria in product contact areas.

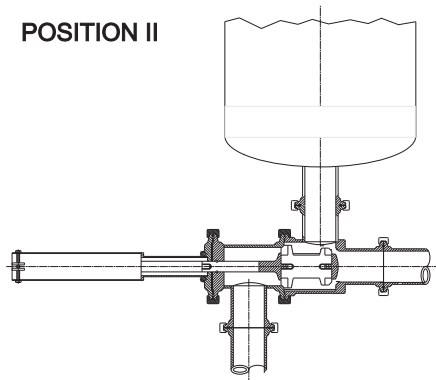
These valve are manufactured from SS 304 / 316 and

PRINCIPLE OPERATION OF FDV

POSITION I



POSITION II



SR. NO.	DESCRIPTION	MATERIAL	QTY.
1	CASING FOR ACTUATOR	SS 316/SS 304	1 NO.
2	PIPE ADAPTOR	SS 316/SS 304	1 NO.
3	HANDLE	SS 316/SS 304	2 NO.
4	'O' RING	SILICON	2 NO.
5	CLAMP	SS 316/SS 304	1 NO.
6	GASKET	SILICON	1 NO.
7	SPINDLE	SS 316/SS 304	1 NO.
8	TOP HOUSING	SS 316/SS 304	1 NO.
9	FERRULE	SS 316/SS 304	1 NO.
10	LOCKING BUSH	SS 316/SS 304	1 NO.
11	VALVE	SS 316/SS 304	1 NO.
12	VALVE SEAT	TEFLON	1 NO.
13	MAIN BODY	SS 316/SS 304	1 NO.
14	LOCKING PIN	SS 316/SS 304	1 NO.