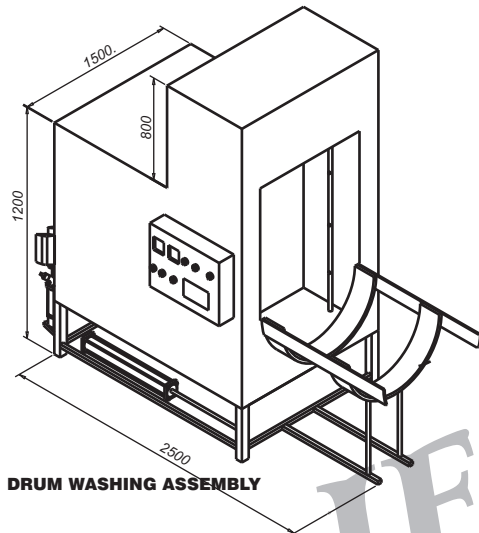


Drum /Washing mashine



INTRODUCTION OF DRUM / BARREL CLEANING OF PRODUCTION EQUIPMENT

The FDA considers cleaning of production equipment in the pharmaceutical industry of prime importance for the production process. Cleaning of all equipment must meet the standards of documentation, and cleaning process must be validated according to the standard norms set by the FDA. Every company within the pharmaceutical industry is responsible for providing documentation that their production equipment meets current demands.

SOLUTION.

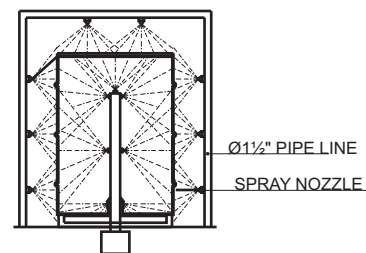
Industrial Equipwash Inc. has developed, manufactured, qualified and validated barrel washing units for cleaning of drums, barrels in bulk chemical (API) production and finished goods production. Industrial Equipwash Inc. automation and technology level for this unit, is at the leading edge of the standards imposed by the Food and Drug Administration

By incorporating a Barrel washing system manufactured by Industrial Equipwash Inc. you will definitely achieve GMP standards in your manufacturing process and will have the confidence of the equipment and the supplier simply because in Industrial Equipwash Inc GMP is a way of life.

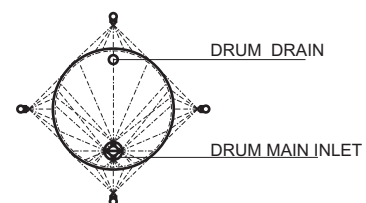
CONSTRUCTION FEATURE

The Durm Cleaning station consist of:

- ✎ A washing frame which support the cleaning compartment made of SS 316 grade.
- ✎ A cleaning lance, self rotating, covering 360° rotating action, self driven, powered by a multistage pump for internal cleaning.



FRONT VIEW



TOP VIEW ORIENTATION

Drum /Washing mashine

- ✎ Internal washing lance is connected to a slave lid.
- ✎ The slave lid replaced the drum/barrel lid prior to the washing cycle.
- ✎ Internal lance / external wash, wash programs are pre set via a PLC controller to suit cleaning requirement of all internal/ external cleaning parameters.
- ✎ System is complete with water, detergent, addition, pumps, hot air

Principles of operation

LOADING

WASH CYCLE

UNLOADING

