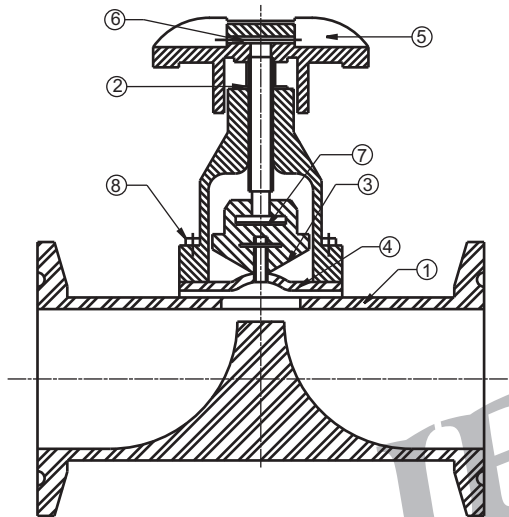


Diaphragm Valves



Diaphragm valves are designed to meet 3A sanitary standards. The valves are manufactured from SS 316 / SS316L bar stock/castings and duly electropolished to 240 # internal surface. End connections can be tri-clamp, flanged or butt weld.

Design Features

- * The diaphragm isolates the working parts of the valve from the process fluid.
- * The smooth contoured body, pocketless design and electropolished interior surface prevents accumulation of process fluids and contaminants.
- * The process contact surfaces(body and diaphragm) are minimum enhancing cleaning and sterilisation.
- * The flexible diaphragm in contact with the metal weir ensures positive closure.

Applications

Process control in batch operation, ideally suited for vacuum application, bubble shut closed position, sanitary internals make it an ideally suited cGMP application

PARTS LIST

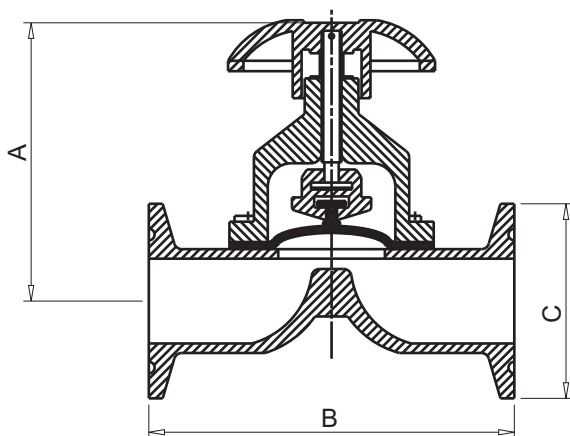
No.	Part Name	Material	Quantity
8	NUT & BOLT	SS 304	4 Nos.
7	SPACER		1 No.
6	LOCKING PIN	SS 316	1 No.
5	HANDLE		1 No.
4	DIAPHRAGM	SS 316	1 No.
3	VALVE		1 No.
2	TOP BODY COVER		1 No.
1	MAIN BODY	SS 316	1 No.

Sizes: From 1/4" to 3" in tubing or NB schedule sizes.

Diaphragm can be silicon, teflon or EPDM

The valve can steam sterilized and hence ideally suited for CIP (Clean-in-Place) & SIP (Steam-in-Place).

The valve is ideally suitable for WFI/DM distribution loops as it virtually eliminates dead-legs in the lines.



DIMENSIONS

SIZE		A	B	C
1/4"	Ø6.35mm	60	125	Ø50
1/2"	Ø12.7mm	80	125	Ø50
3/4"	Ø19.05mm	102	125	Ø50
1"	Ø25.4mm	102	125	Ø50