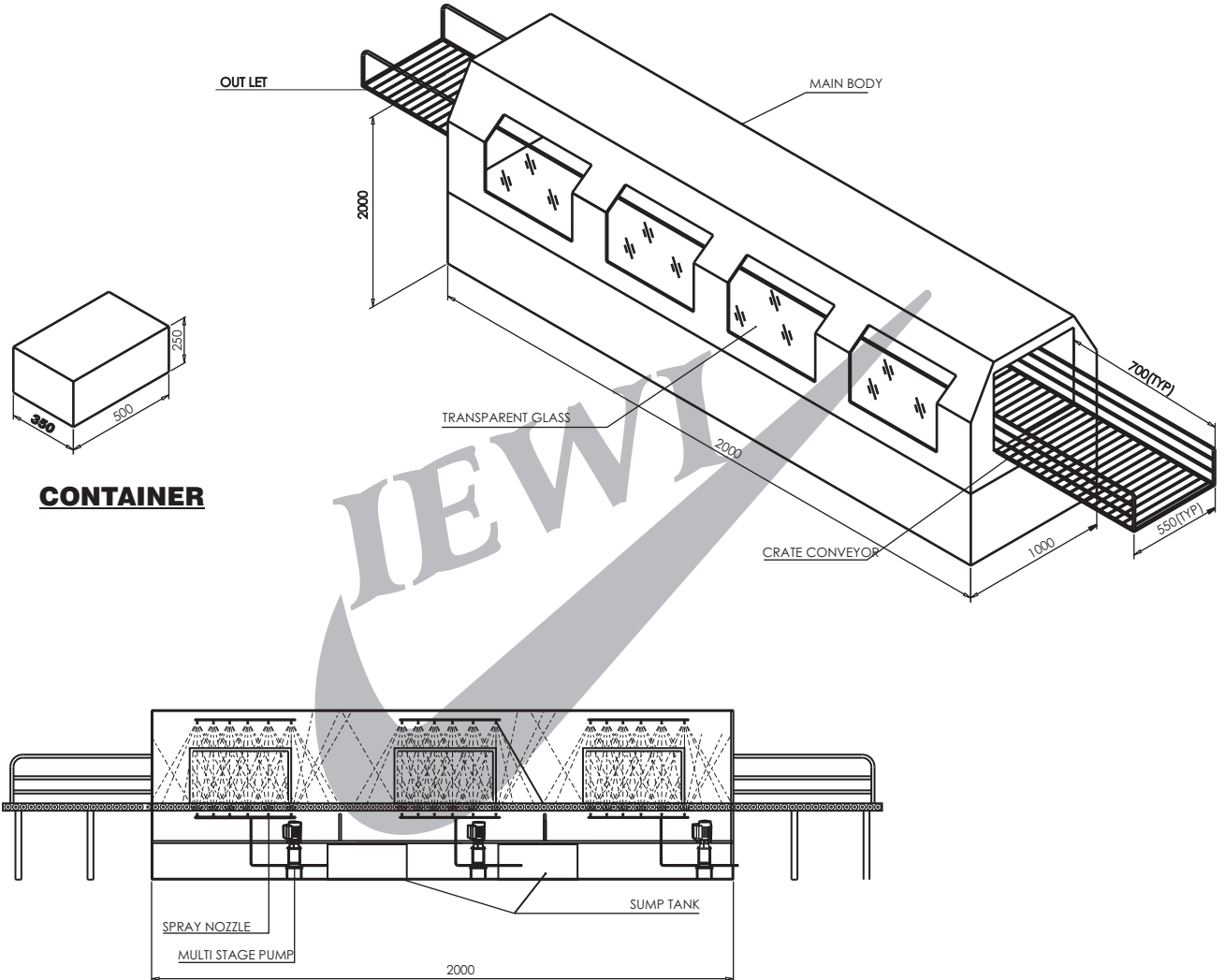


Crate washing Station



Designed for dairy, ice cream, food, beverages, pharma, biotech, auto & allied process industries. The crates to be washed are conveyed by a chain conveyor into the wash chamber. The crates pass through high pressure water jet nozzles having accurate spray angles for washing. This ensures optimum cleaning in the shortest possible timing. If desired the crates can be washed by detergent solution or hot water. Finally the residue liquid on the crates can be dried using hot air. The waste water is collected into a sump which can be connected either a sewage system or can be recycled after passing through a special filtration system. A separate electrical panel is provided for ease of operation